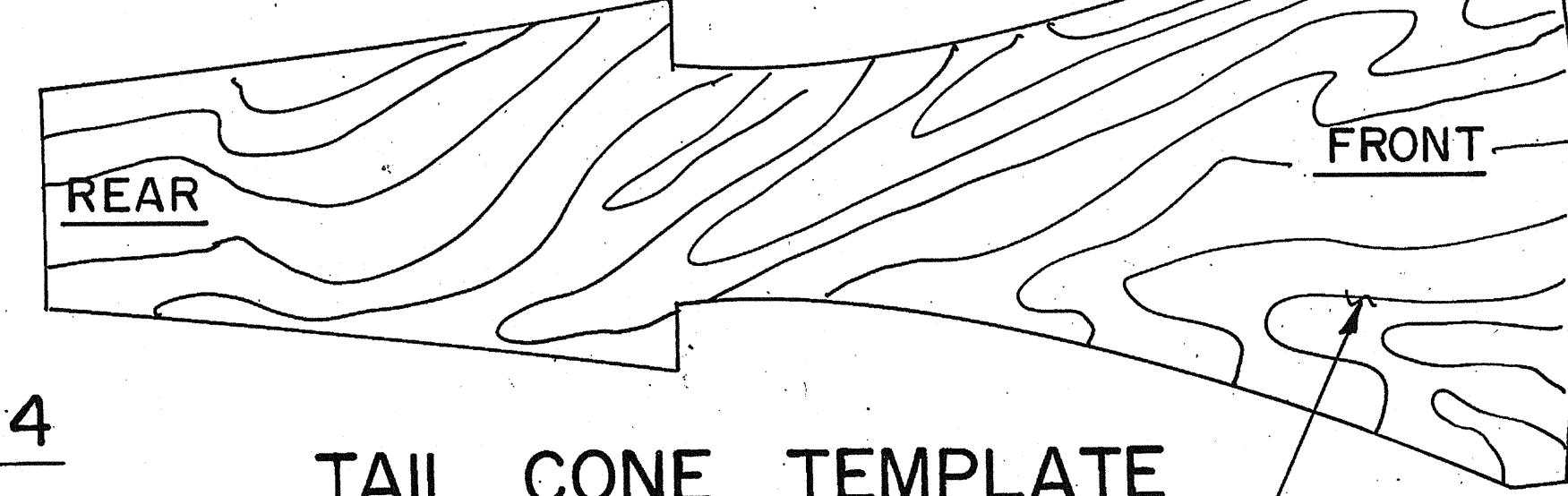
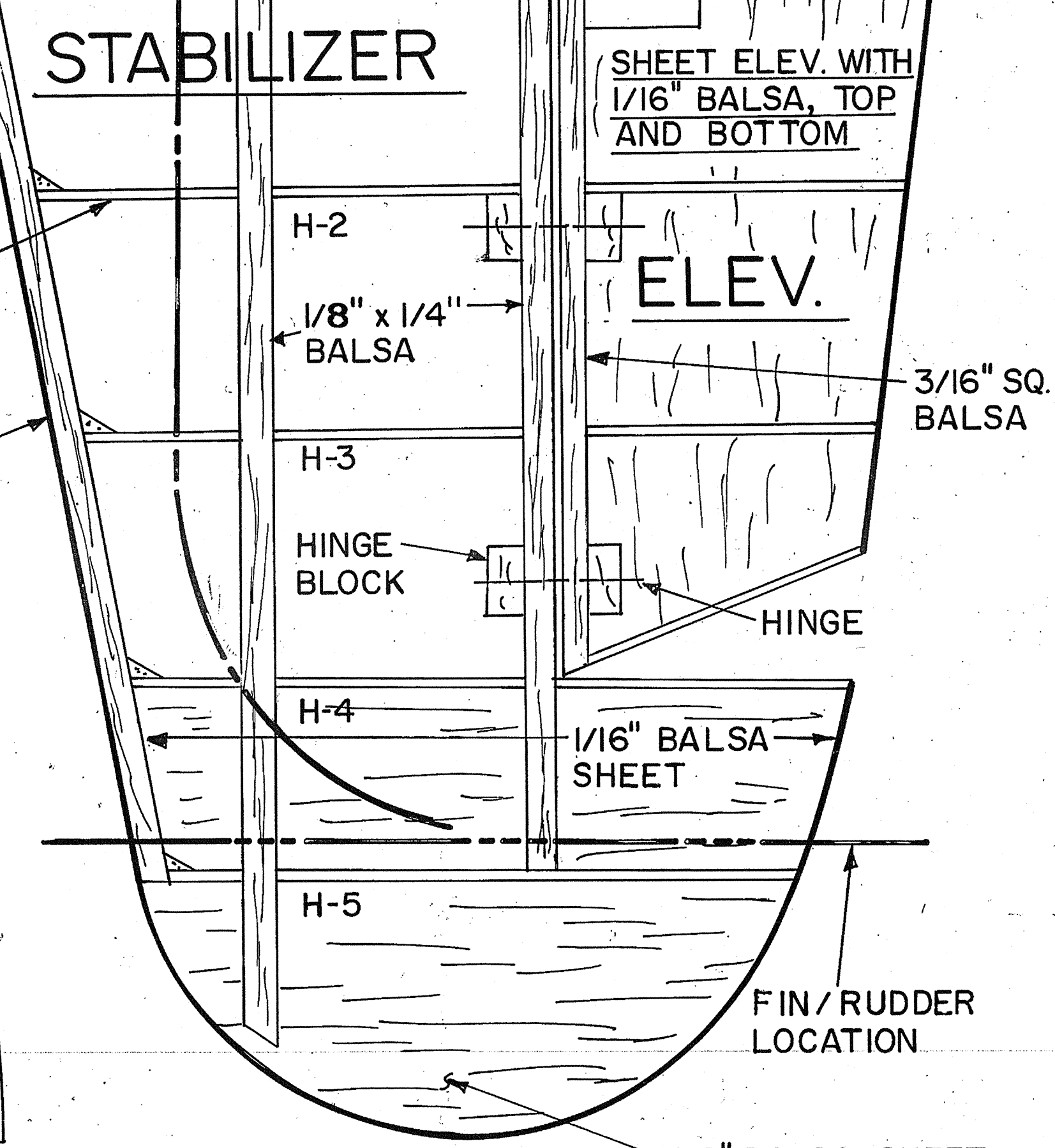


FUSELAGE TOP VIEW

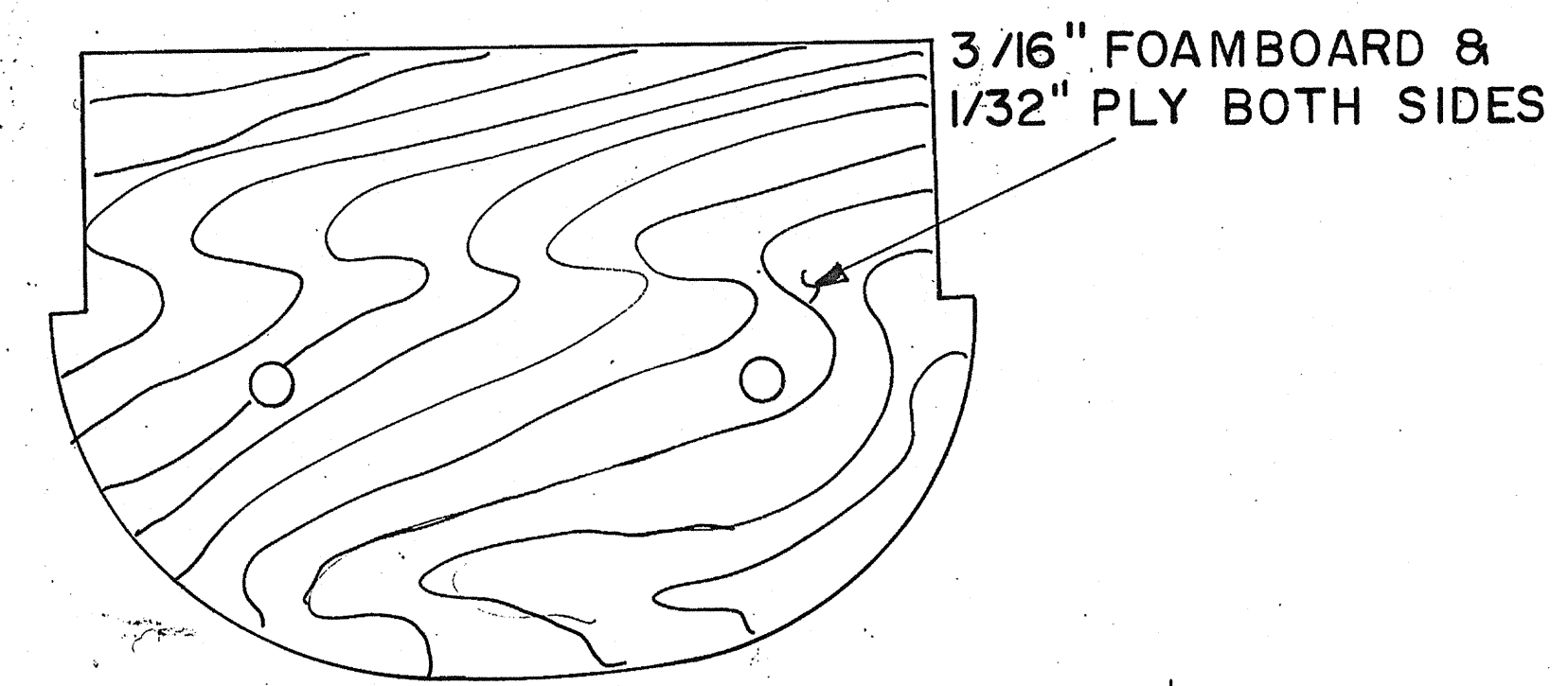


TAIL CONE TEMPLATE

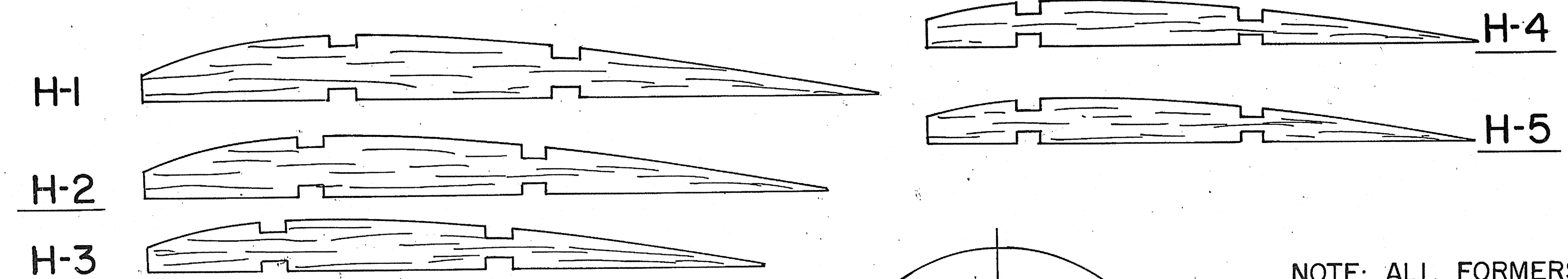


STABILIZER

ELEV.

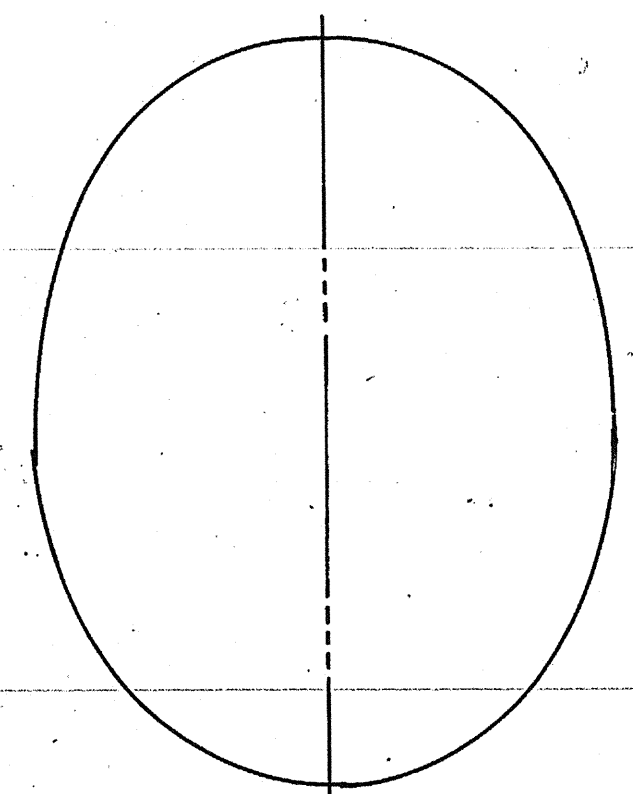


F-3B

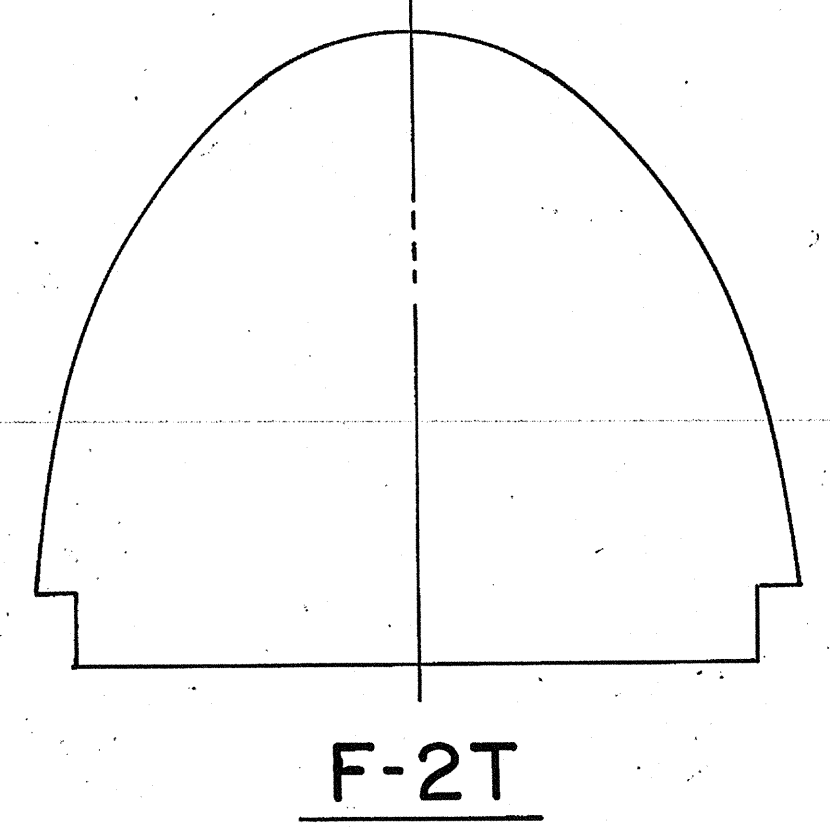


ALL STAB RIBS H-1 THRU H-5 ARE 1/16" BALS A SHEET

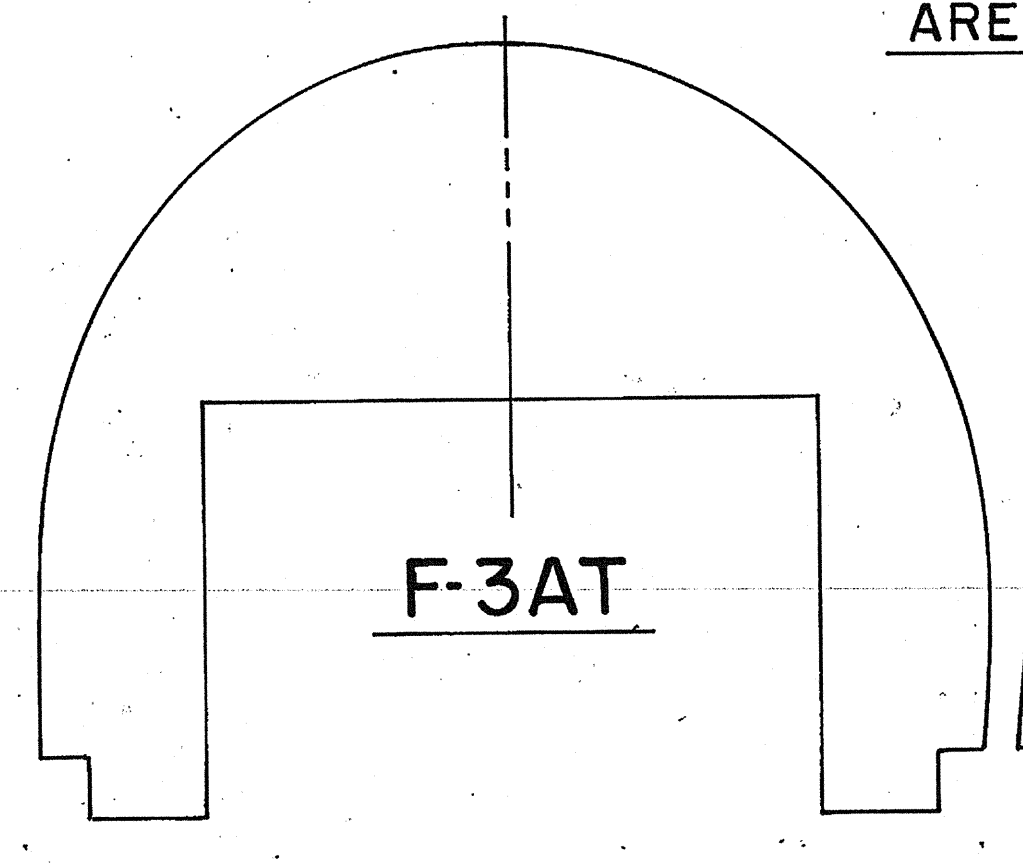
NOTE: ALL FORMERS ARE 3/16" FOAMBOARD, SOME WITH DOUBLERS - TOP FORMERS OVERLAP BOTTOM FORMERS. STRINGER NOTCHES ARE NOT SHOWN.



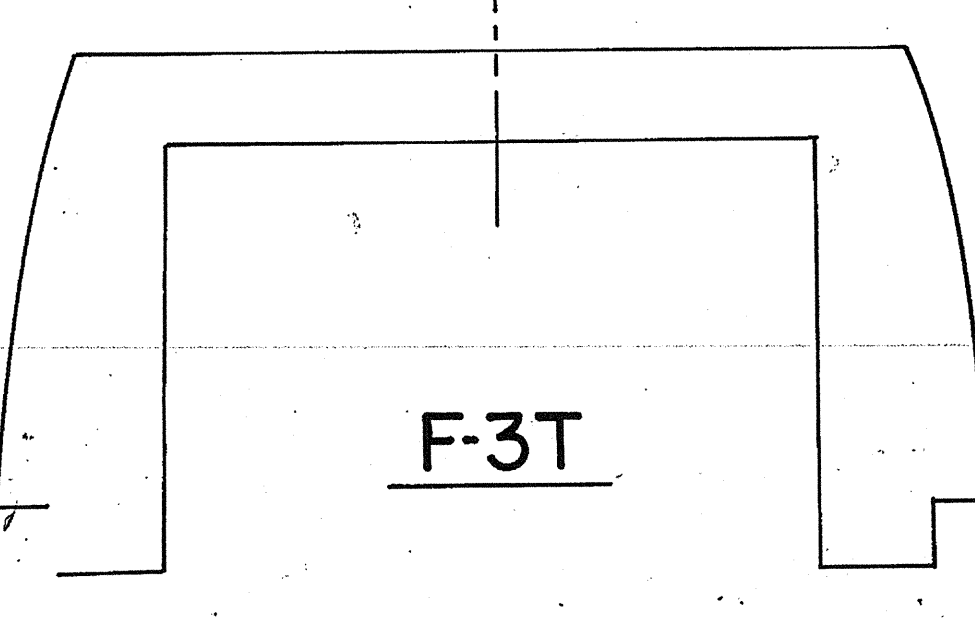
F-1



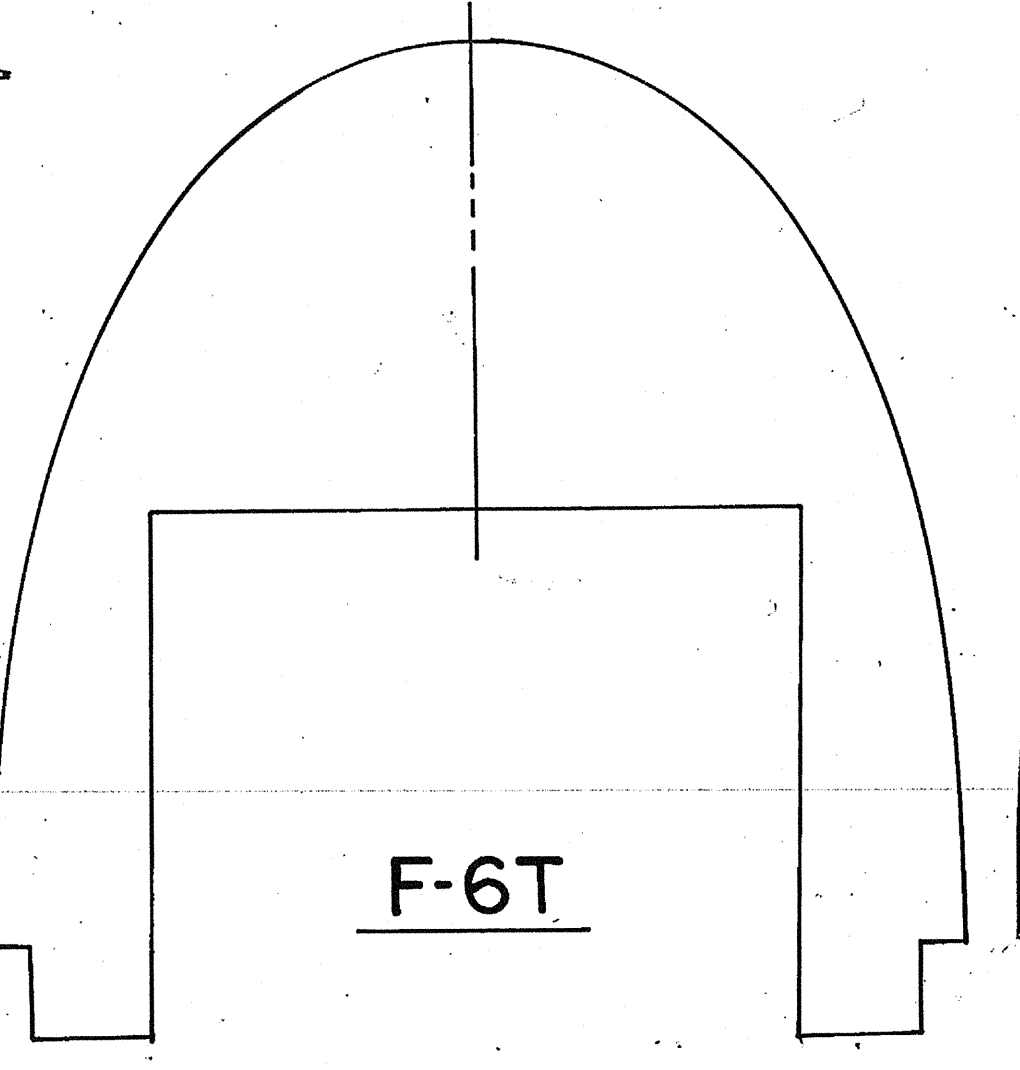
F-2T



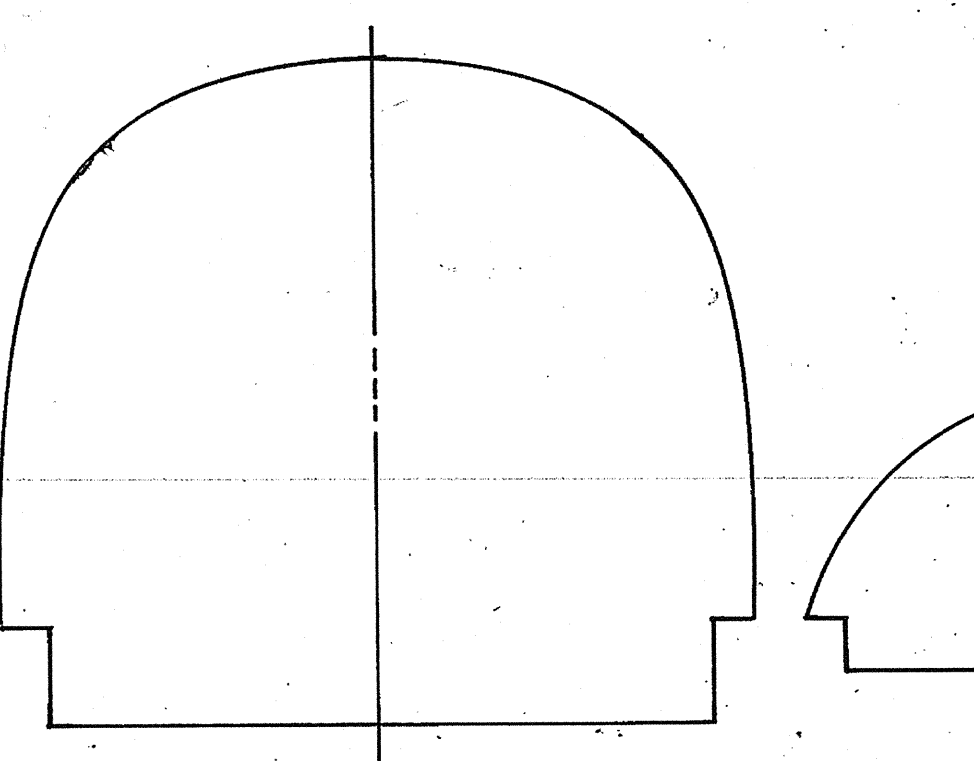
F-3AT



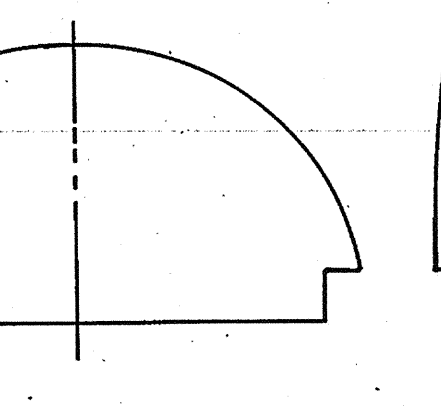
F-3T



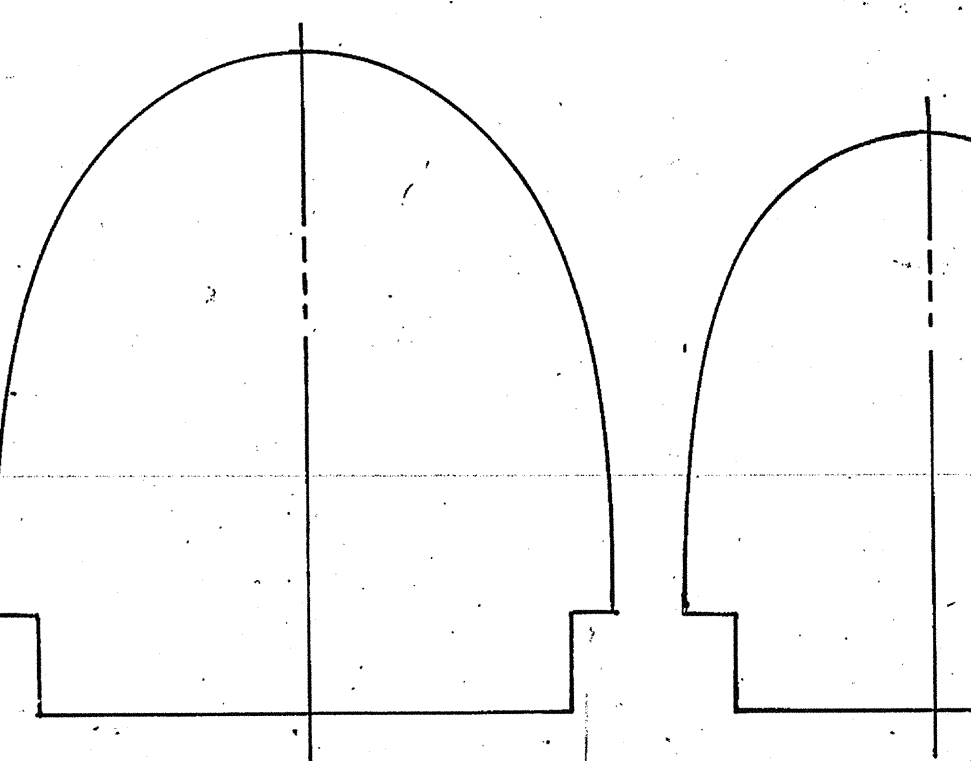
F-6T



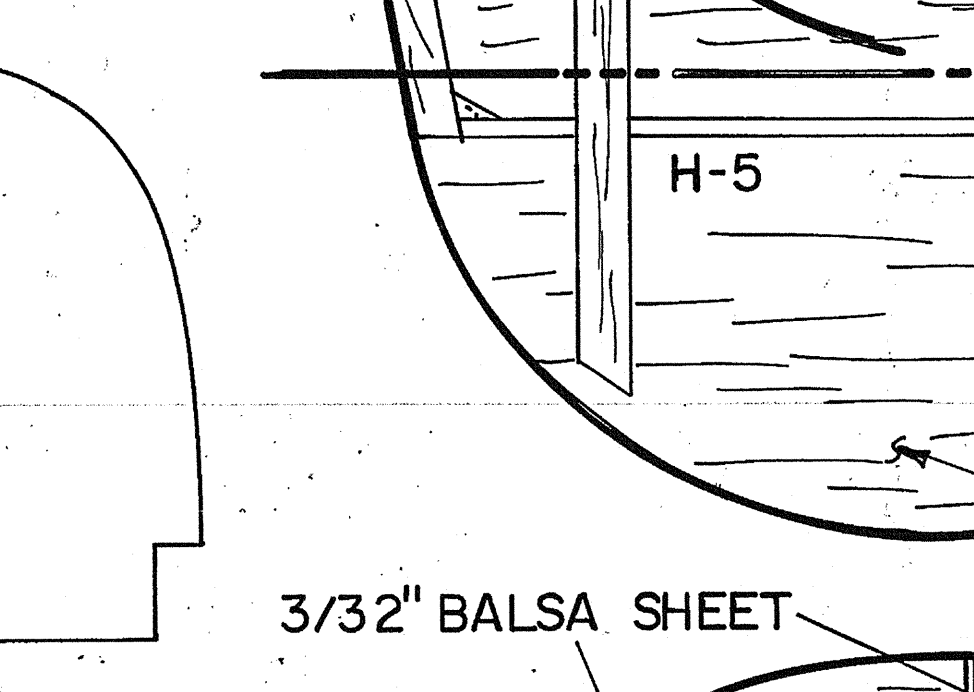
F-7T



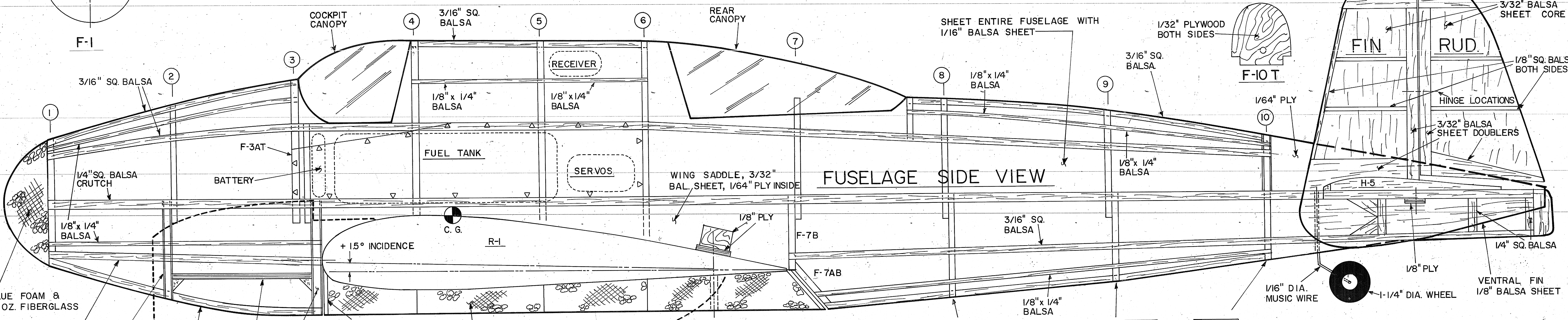
F-8A



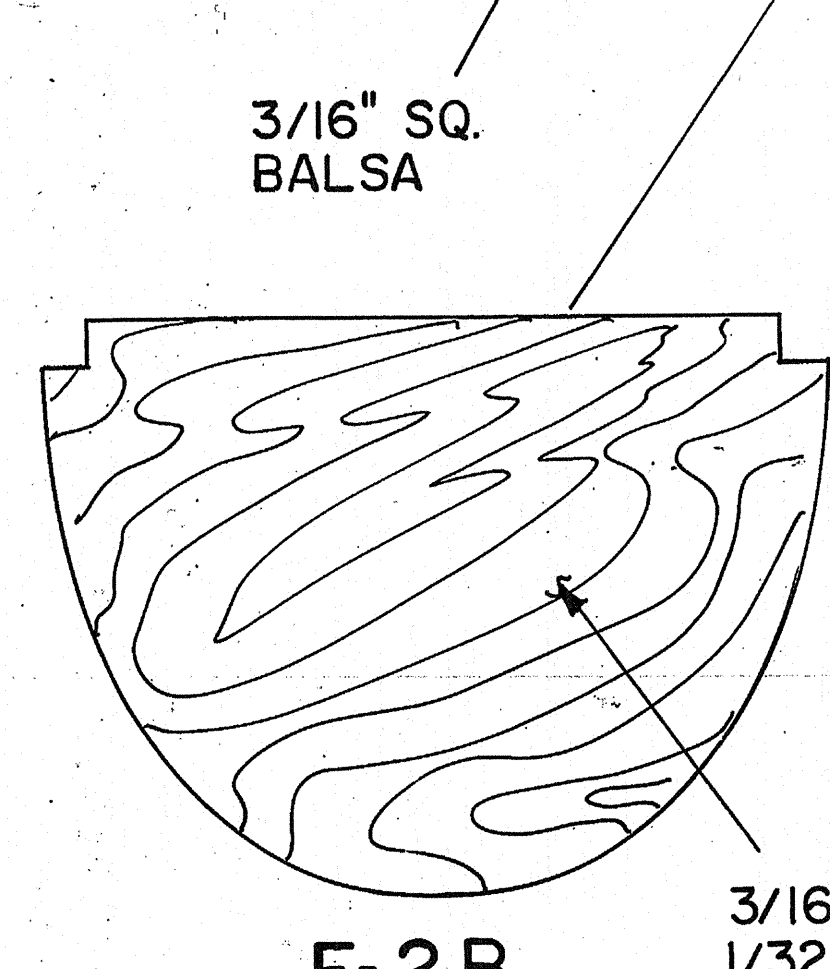
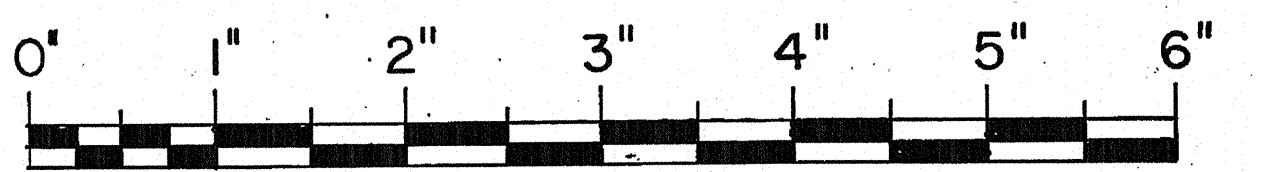
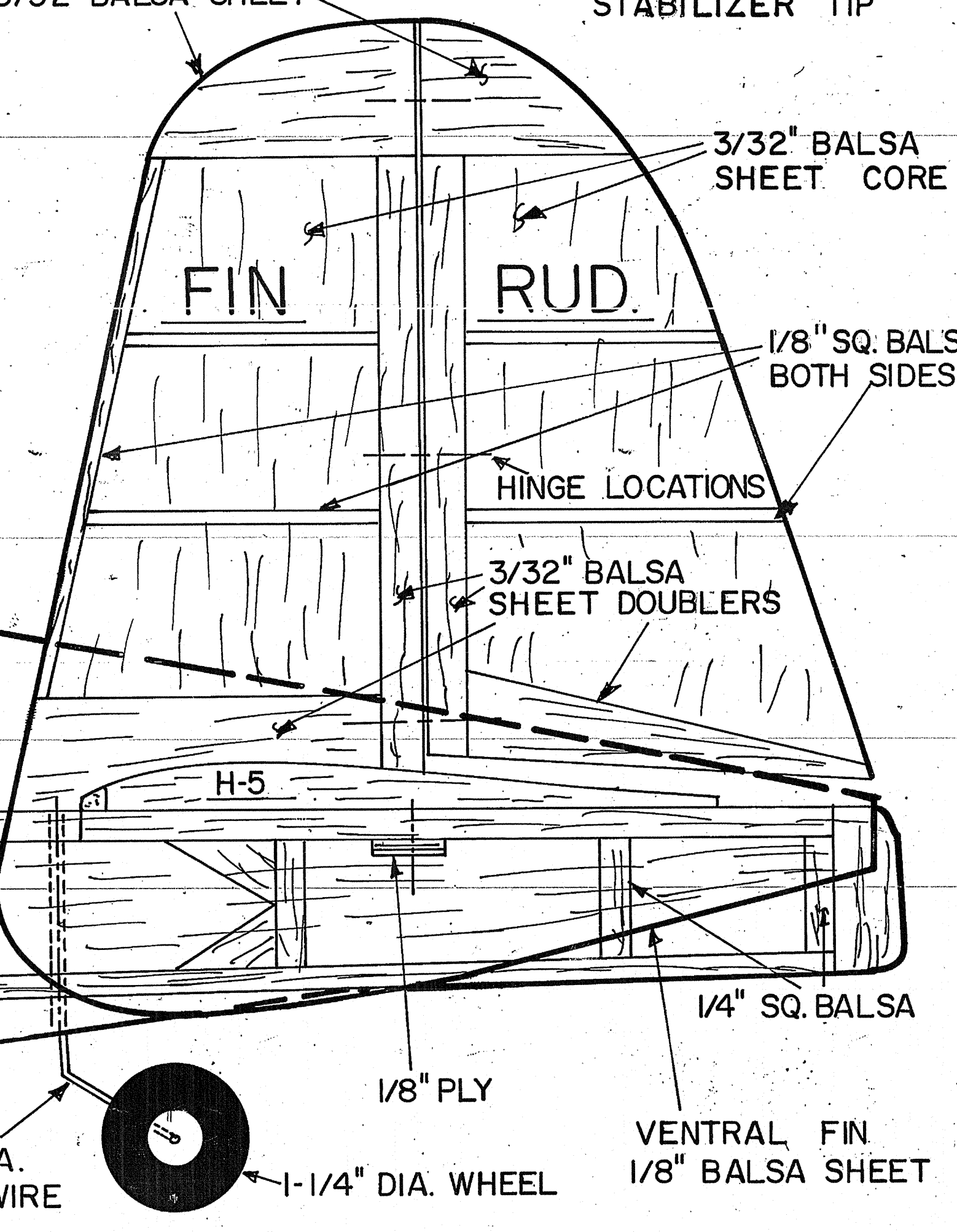
F-8T



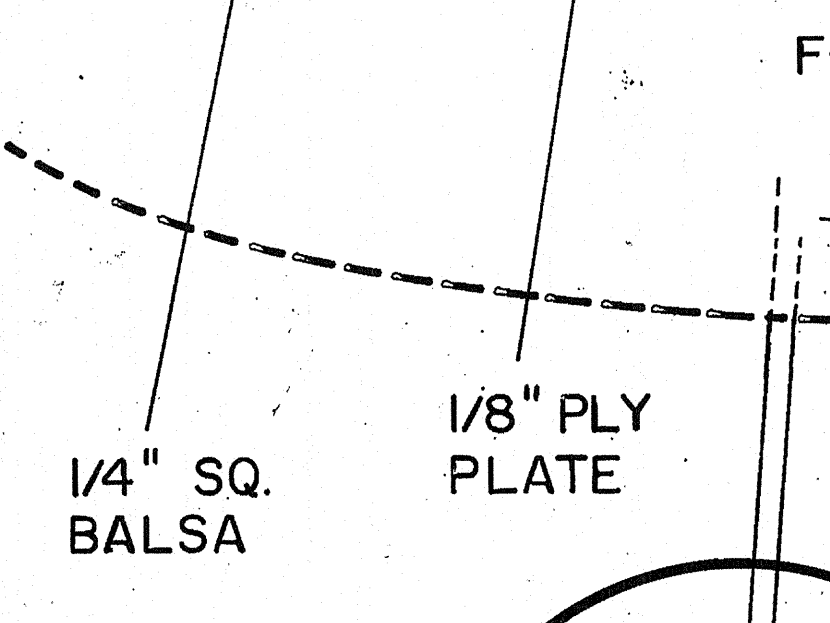
F-9T



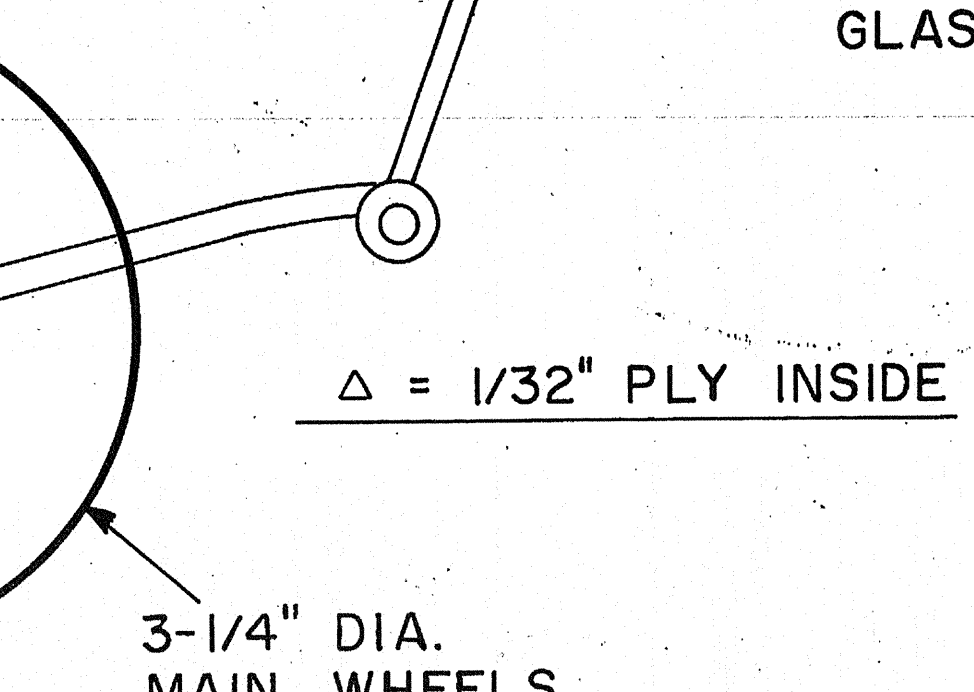
FUSELAGE SIDE VIEW



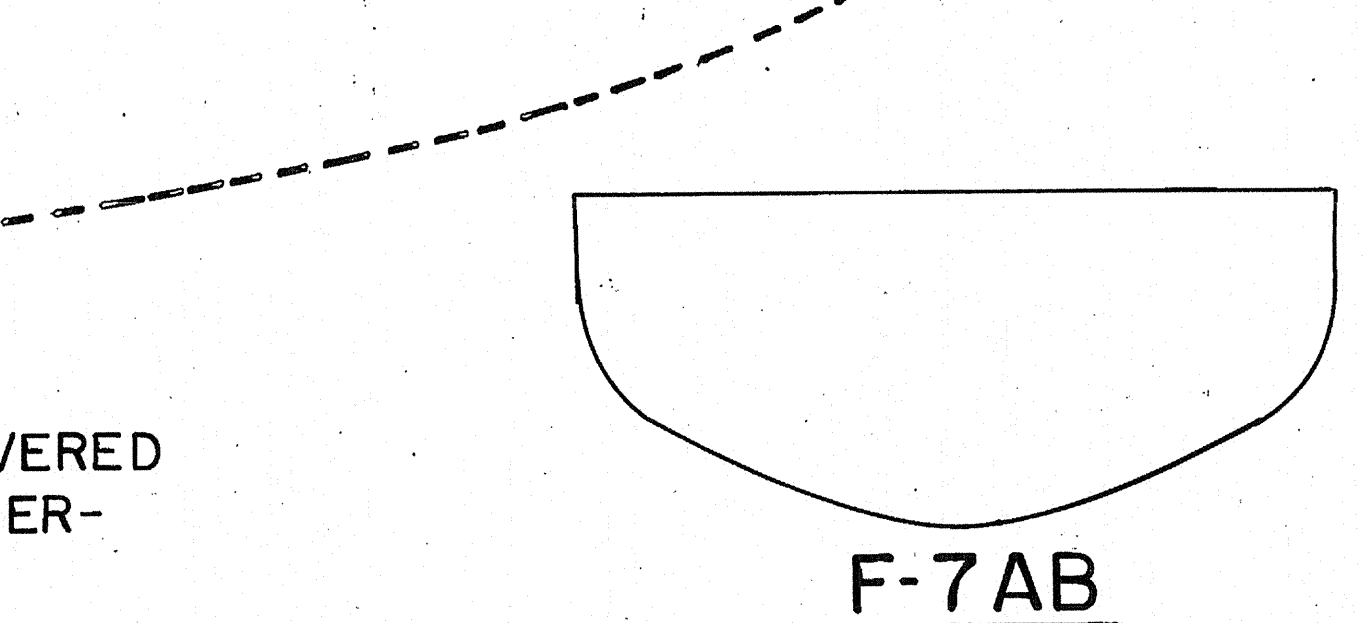
F-2B



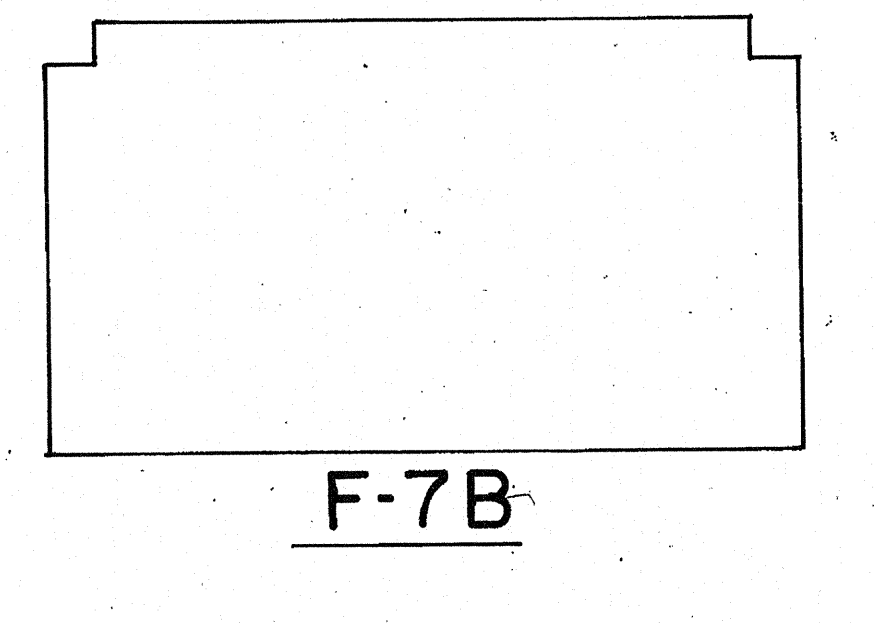
NACELLE



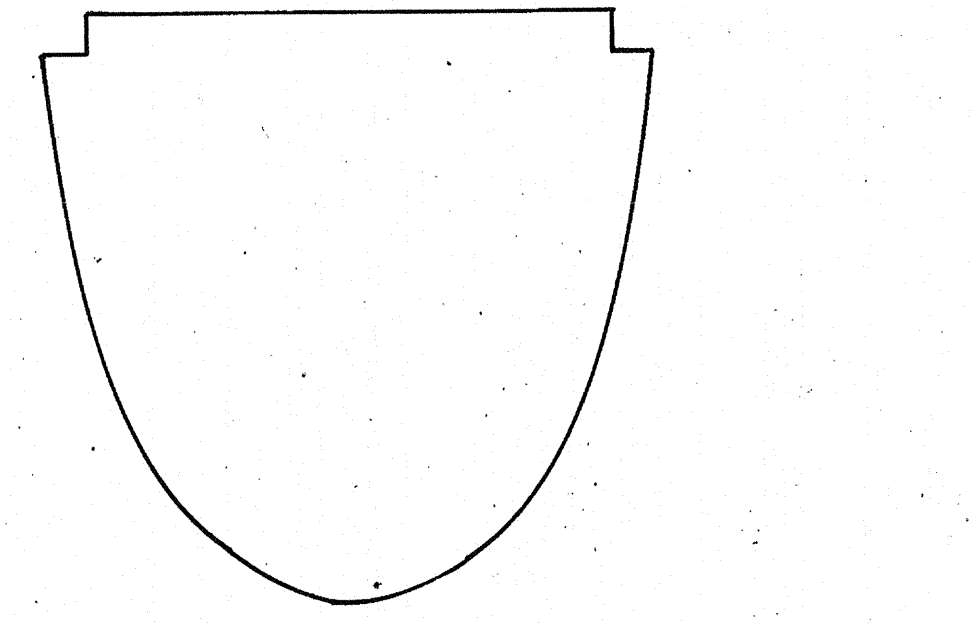
3-1/4" DIA. MAIN WHEELS



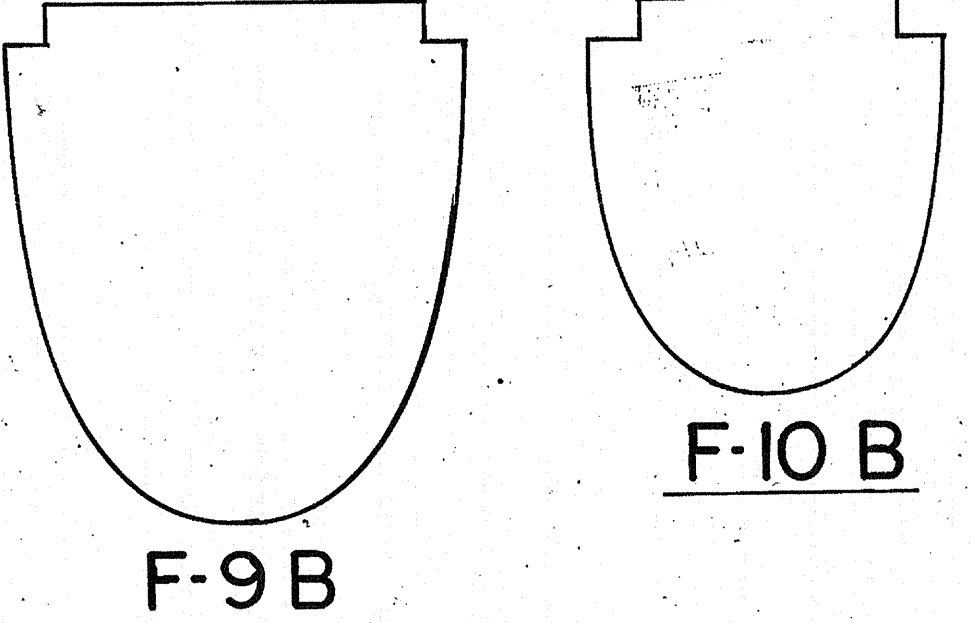
F-7AB



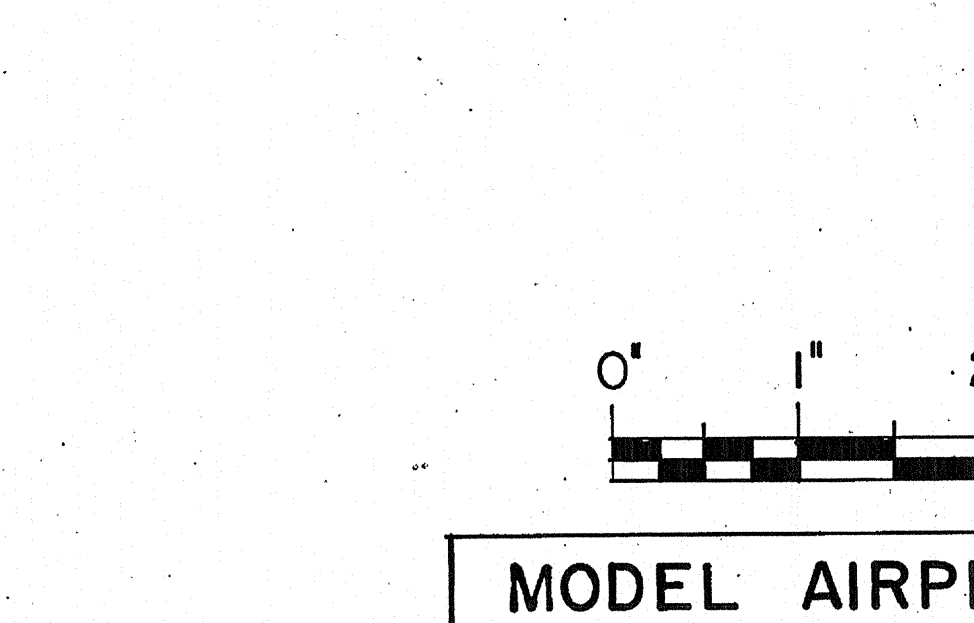
F-7B



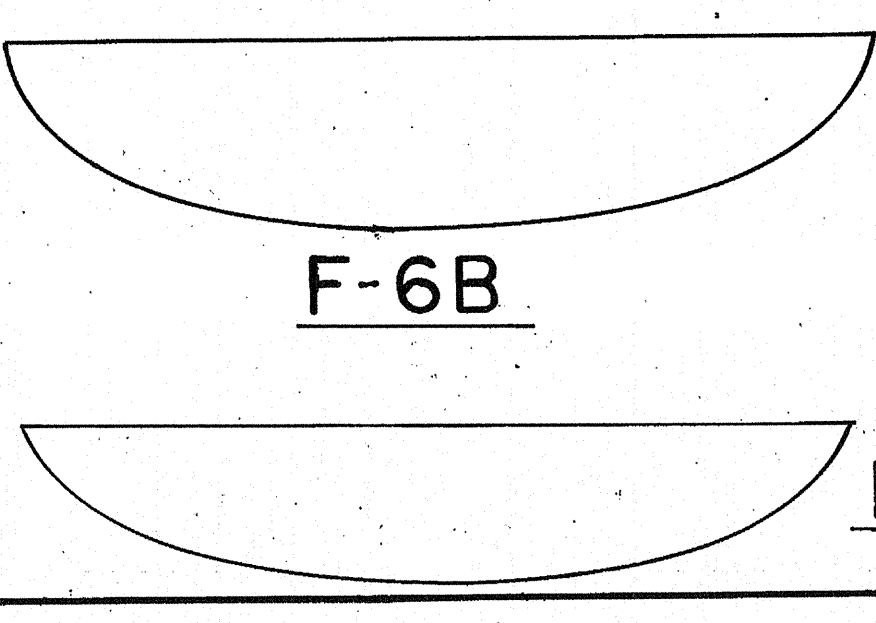
F-8B



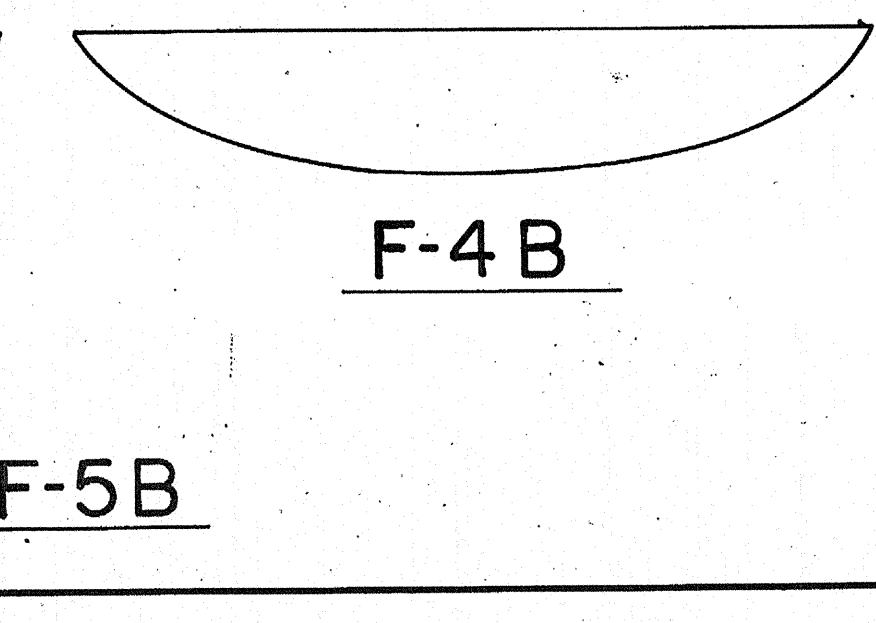
F-9B



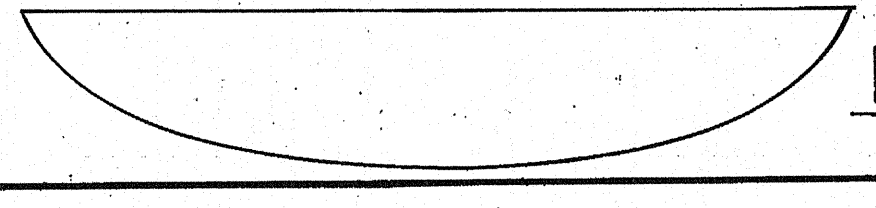
F-10B



F-6B



F-4B



F-5B

SPECIFICATIONS
 WING SPAN..... 66"
 WING AREA..... 640 SQ. IN.
 WEIGHT..... 7-1/2 LBS.
 ENGINES..... TWO O.S.-48 F.S.

CONTROL MOVEMENTS
 ELEV..... 3/4" UP & DN.
 RUDDER... 1-1/4" LT. & RT.
 AILERONS... 1/2" UP, 3/8" DN.

MODEL AIRPLANE NEWS	
POLISH TWIN ATTACK FIGHTER	
PZL-P38 WOLF	
DESIGNED BY ROY DAY	
DRAWN BY ROY DAY	
INKED PLANS BY JOE DEMARCO	
ALL RIGHTS RESERVED	SHEET 1 OF 2
FSP03991	